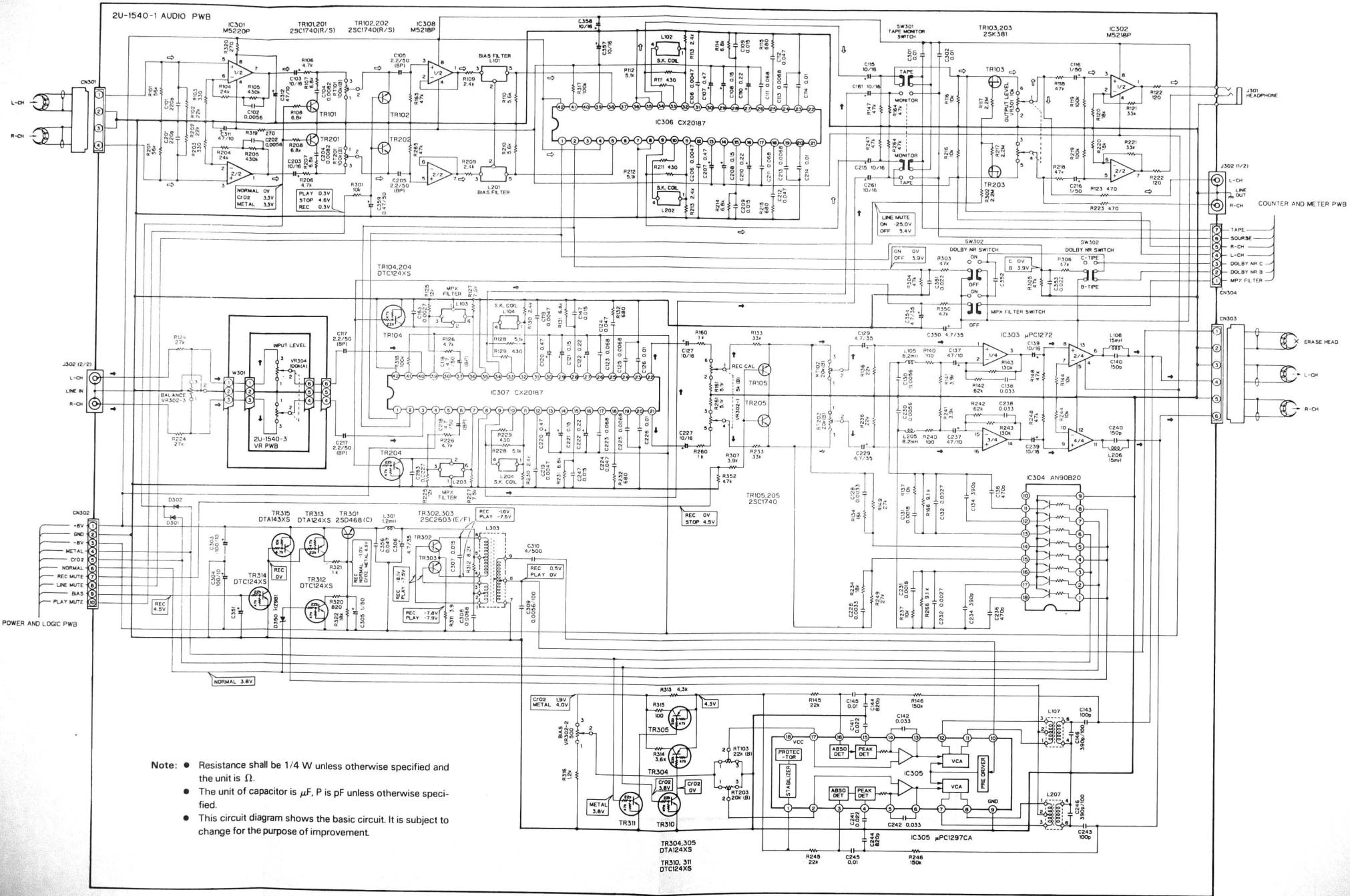


SCHEMATIC DIAGRAM OF AUDIO AMP UNIT

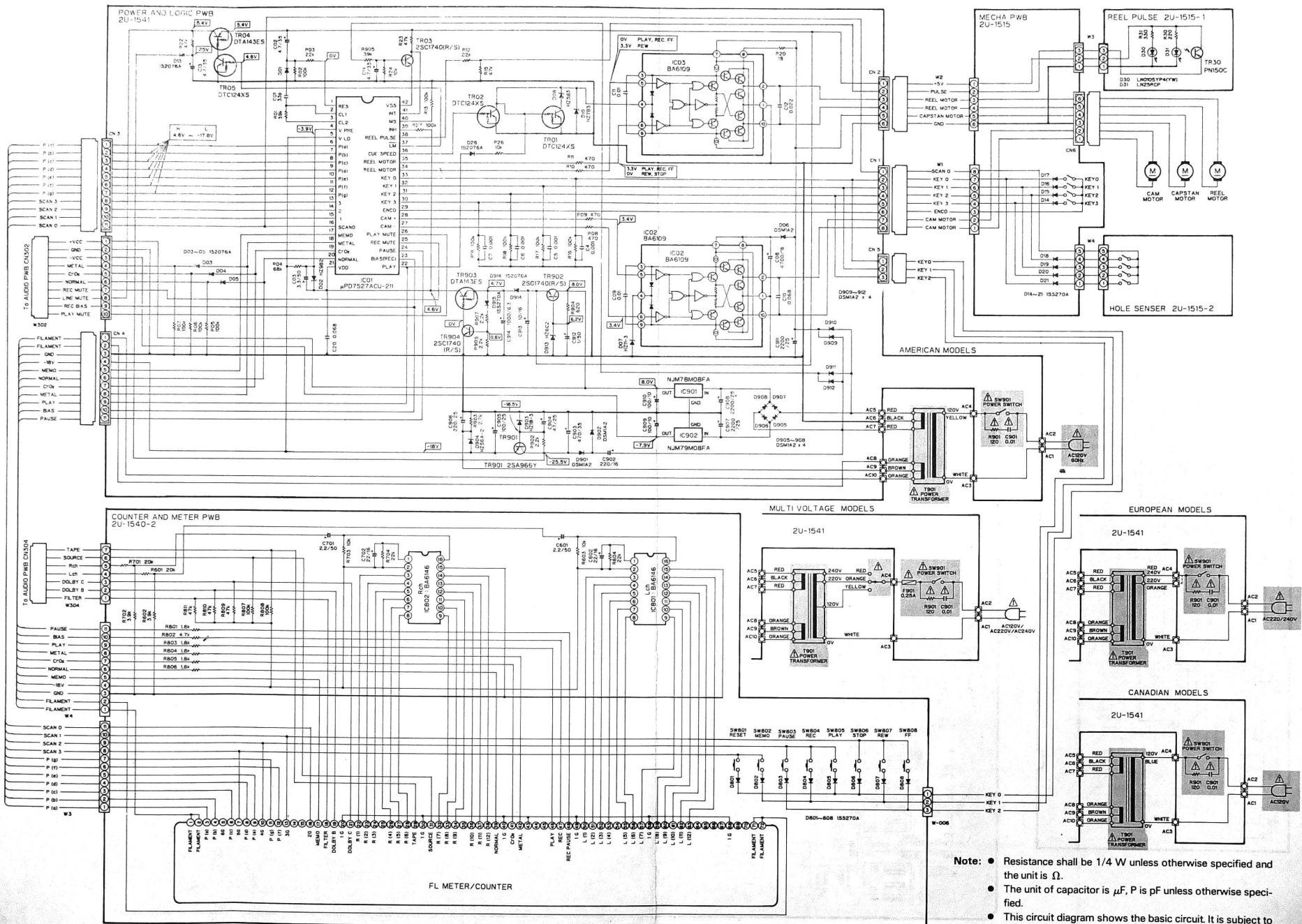


Note: ● Resistance shall be 1/4 W unless otherwise specified and the unit is Ω .

● The unit of capacitor is μF , P is pF unless otherwise specified.

● This circuit diagram shows the basic circuit. It is subject to change for the purpose of improvement.

SCHEMATIC DIAGRAM OF POWER/LOGIC UNIT



- Note:**
- Resistance shall be 1/4 W unless otherwise specified and the unit is Ω .
 - The unit of capacitor is μF , P is pF unless otherwise specified.
 - This circuit diagram shows the basic circuit. It is subject to change for the purpose of improvement.
 - Parts marked with Δ are of importance in respect to the safety, use the specified type without fail.